






bison
deck supports

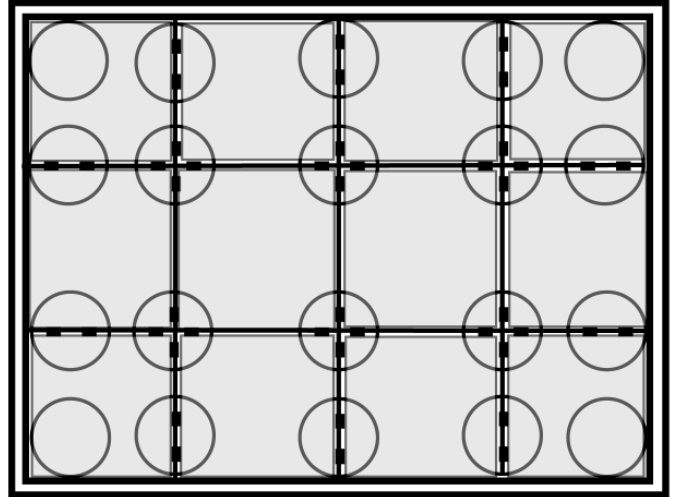
Installation & Slope Compensation Details

SAMPLE LAYOUT USING STONE DECK PANELS

-  ALL PEDESTAL TABS REMOVED
-  TWO PEDESTAL TABS REMOVED
-  USE ALL FOUR PEDESTAL TABS

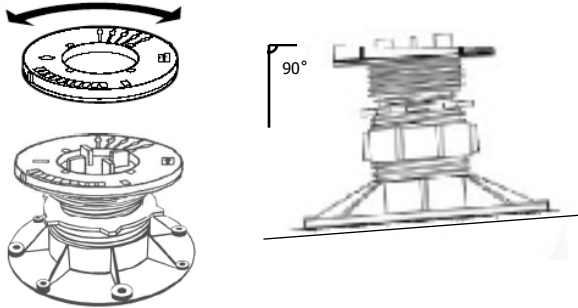
TO DETERMINE THE NUMBER OF PEDESTALS:

1. COUNT ONE (1) PEDESTAL FOR EACH TILE USED.
(DIAGRAM: 12 TILES)
2. ADD ONE (1) PEDESTAL FOR EACH PERIMETER TILE ON 2 SIDES
(DIAGRAM: 6 + 12 = 18)
3. ADD TWO (2) PEDESTALS TO THE TOTAL
(DIAGRAM: 18 + 2 = 20 PEDESTALS NEEDED)

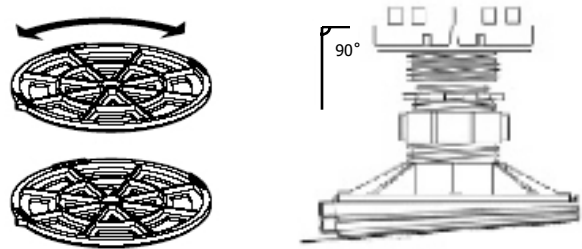


SLOPE COMPENSATION DETAILS

TOP LEVELING: PH5 = UP TO 5/8" PER FOOT SLOPE. ROTATE THE PH5 TO PRECISELY LEVEL THE PEDESTAL TOP ON SURFACES WITH SLOPE UP TO 5/8" PER FOOT. COMES STANDARD ON ALL VERSADJUST MODELS & CAN BE ADDED TO LEVEL.IT MODELS.

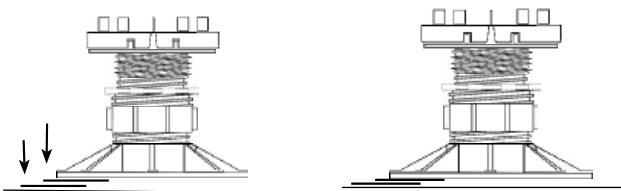


BASE LEVELING: LD4 = 1/4" PER FOOT SLOPE. STACK 2-4 LD4'S UNDER PEDESTAL BASE TO COMPENSATE FOR 0"-1" PER FOOT SLOPE. WHEN USING TWO OR MORE LD4'S ROTATE ONE IN RELATION TO THE OTHER TO ACHIEVE THE RIGHT SLOPE COMPENSATION



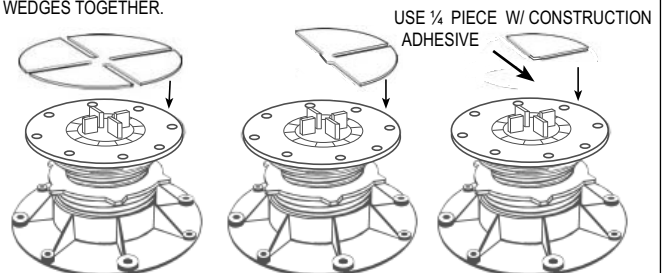
B11 SHIMS UNDER PEDESTALS

PLACE B11s (WHOLE OR IN SEGMENTS) UNDER THE PEDESTAL IN A STAIRSTEP FASHION TO COMPENSATE FOR SLOPING SUBSTRATES. USE ONLY B11 SHIMS FOR THIS APPLICATION. MAXIMUM (3) THREE.



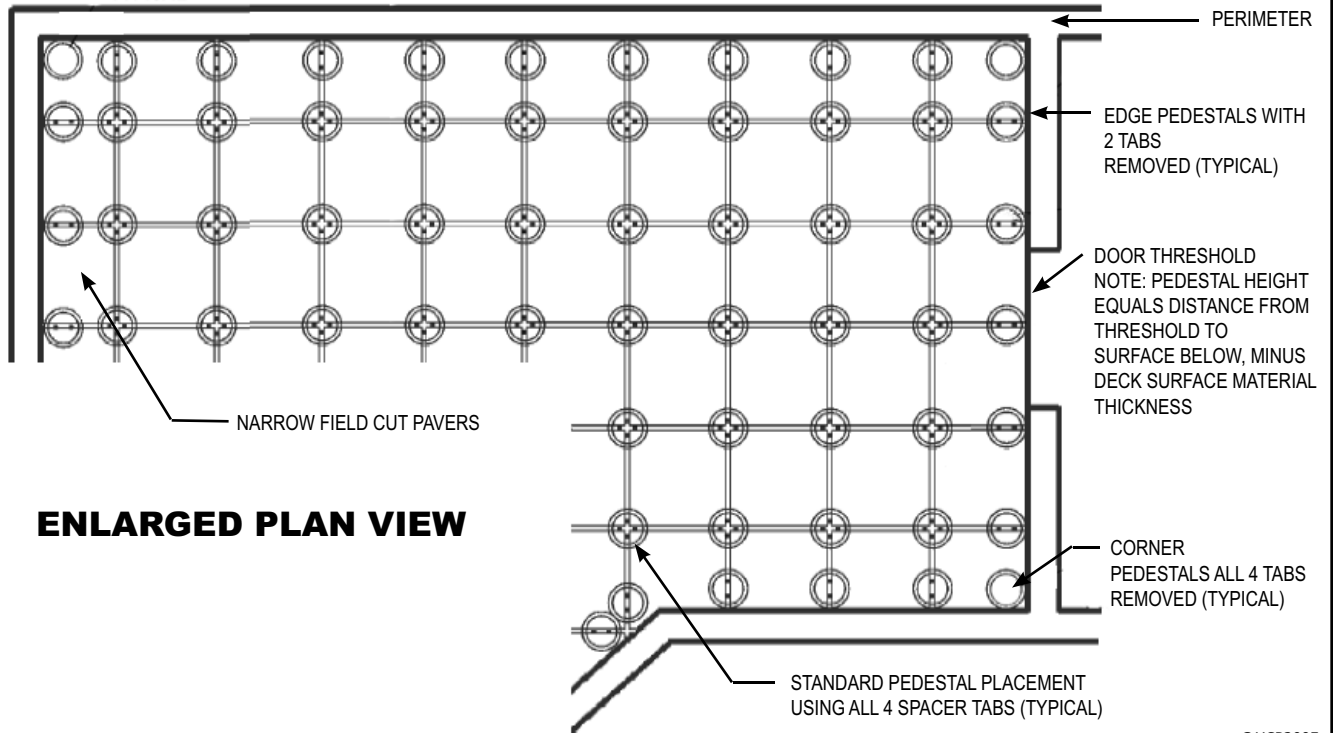
B11 SHIMS ON TOP OF PEDESTALS

B11'S MAY BE PLACED ON TOP OF PEDESTALS TO ACCOMMODATE FOR MINOR LEVELING OF PANELS TILES OR PAVERS WITH THICKNESS VARIATIONS. NOTE: 1/4 WEDGE PIECES MUST BE ADHERED TO THE PEDESTAL & EACH OTHER WITH CONSTRUCTION ADHESIVE, SECURING THE WEDGE TO THE PEDESTAL AND NOT MORE THAN 2 WEDGES TOGETHER.



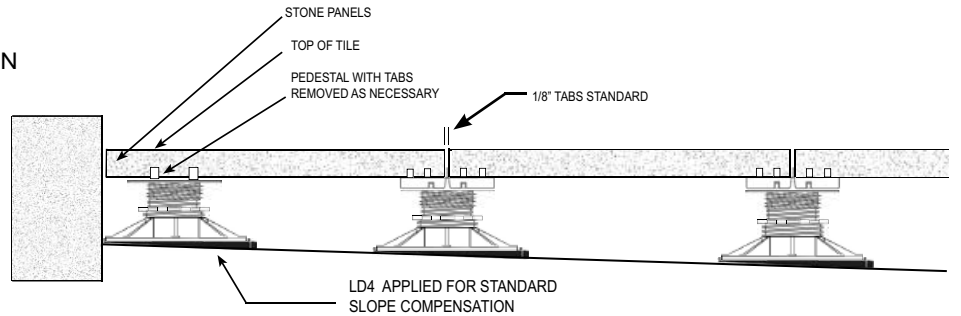
BISON DECK SUPPORTSTHE LEVEL OF EXCELLENCE®

BISON DECK SUPPORTS



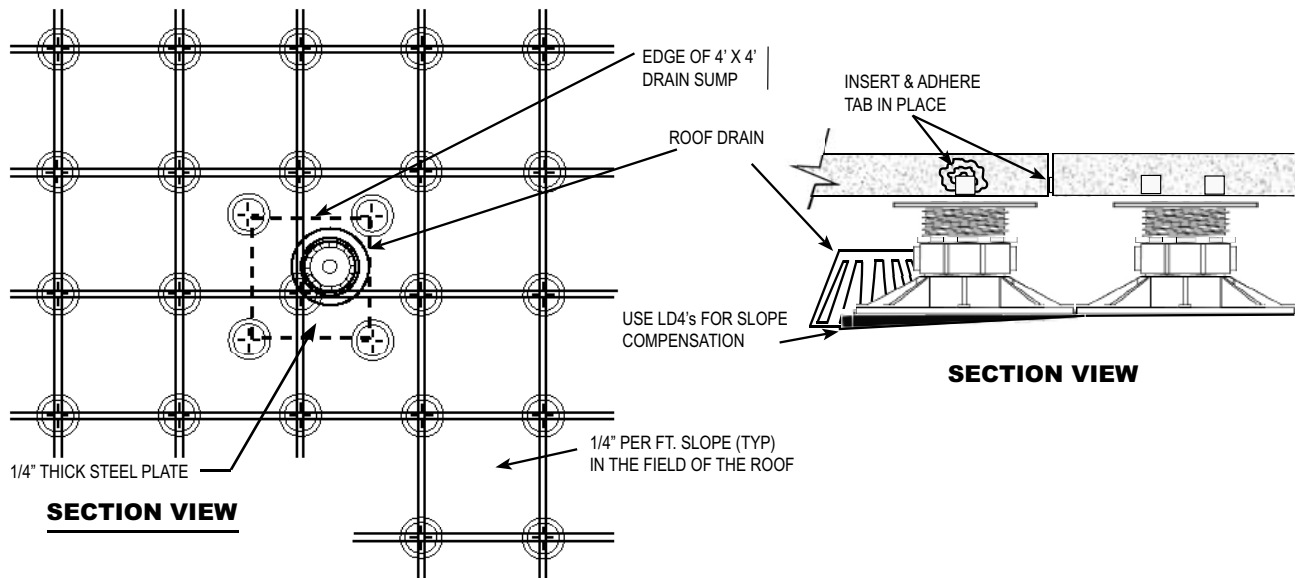
©UCP2005

SECTION VIEW MINIMAL SLOPE COMPENSATION (NOT TO SCALE)



©UCP2005

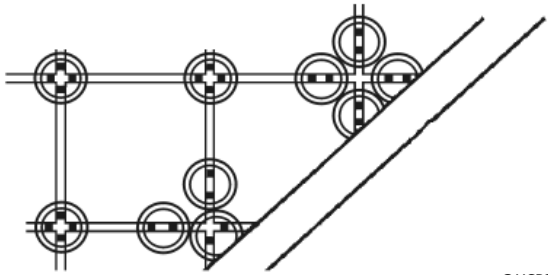
SPECIAL PLACEMENTS



©UCP2006

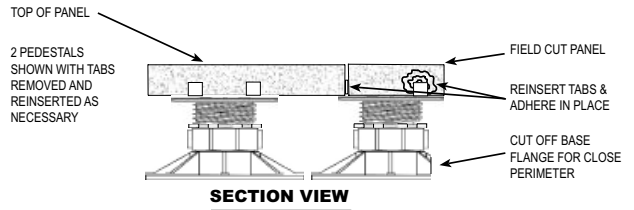
INSTALLATION DETAILS

ENLARGED PLAN VIEW AT DIAGONAL PERIMETER EDGE



©UCP2005

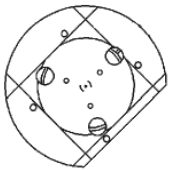
ENLARGED PERIMETER EDGE DETAIL



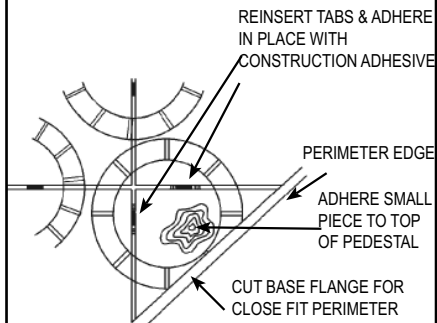
©UCP2005

BOTTOM VIEW OF PEDESTAL

FACTORY SCORED GUIDELINES FOR EASY CUTTING CUT BASE FLANGE AS NECESSARY FOR CLOSE PERIMETER



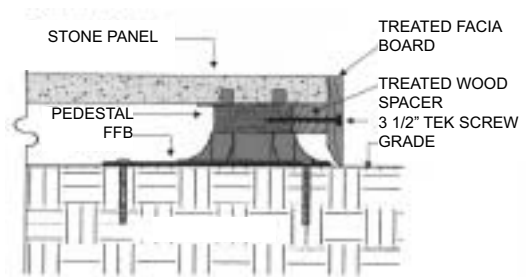
TOP VIEW OF PEDESTAL



ADHERE SMALL PAVER SECTIONS TO TOP OF PEDESTAL WITH WATERPROOF ADHESIVE

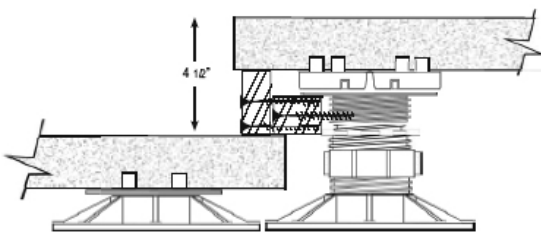
©UCP2005

SECURING PERIMETER FACIA ON GRADE



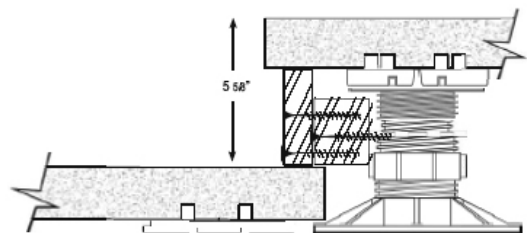
©UCP2005

STEP DOWN OPTION #1



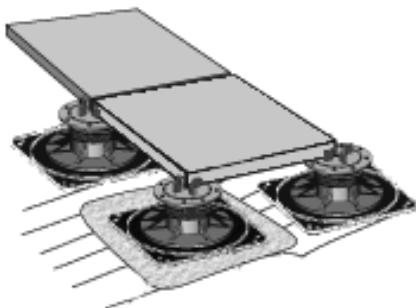
©UCP2005

STEP DOWN OPTION #2



©UCP2005

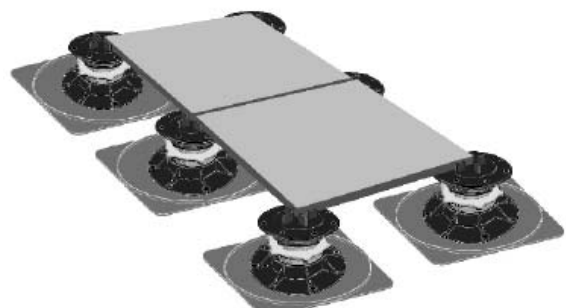
GROUND APPLICATION DETAIL (FFB)



USE FLOATING FOUNDATION BASE (FFB) UNDER EACH PEDESTAL PLACED ON THE GROUND

©UCP2005

INSULATION APPLICATION DETAIL (FIB)



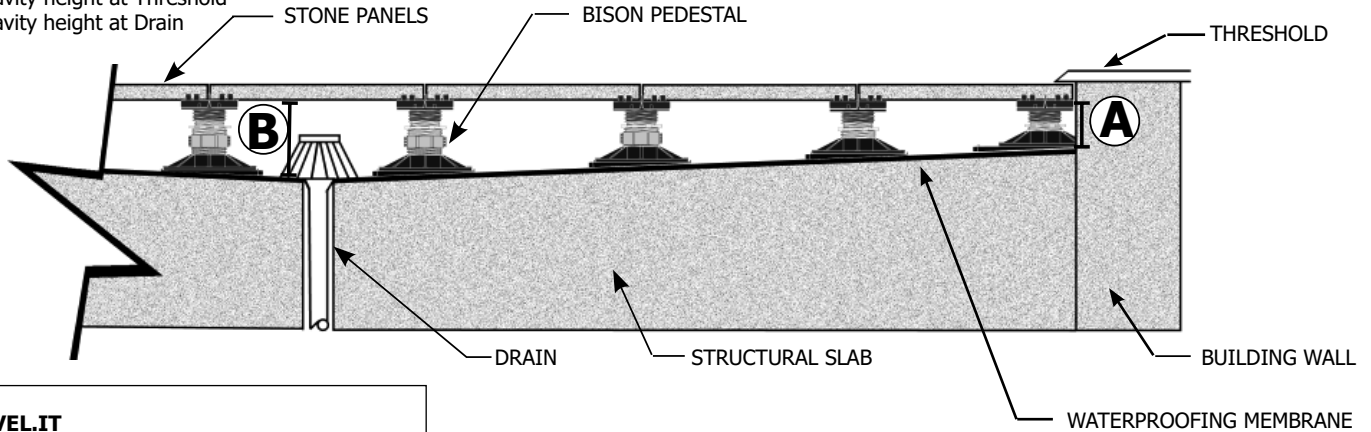
REQUIRED: FLOATING INSULATION BASE (FIB) MUST BE PLACED UNDER EACH PEDESTAL USED ON SMOOTH SURFACED ROOFING MEMBRANES WITH INSULATION.

©UCP2005

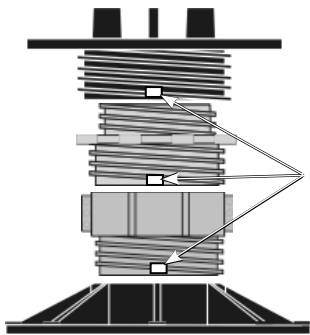
MORE APPLICATION DETAILS

Cavity Height - the distance from the Top of the waterproofing to the Bottom of the deck surface.

A - Cavity height at Threshold
B - Cavity height at Drain

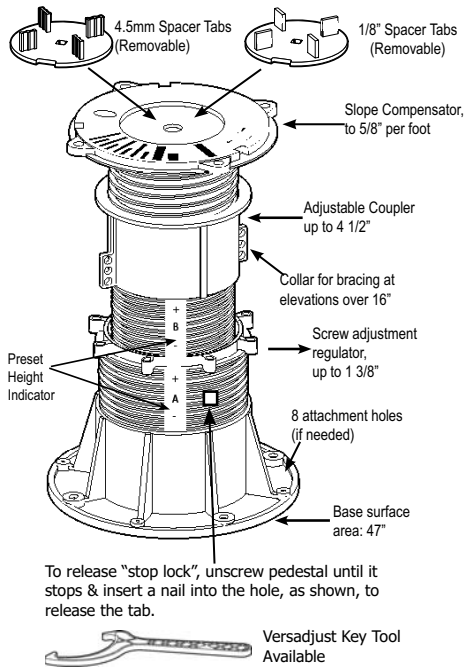


LEVEL.IT SAFETY WINDOWS



TO ENSURE PEDESTAL STABILITY, SCREW PIECES TOGETHER UNTIL SAFETY WINDOWS ARE COMPLETELY COVERED.

VERSADJUST VDPH5 DESIGN FEATURES



Maintenance Guide

Routine maintenance of your cavity deck system will enhance the beauty, reduce major repairs, and prolong the life of your deck. Follow the manufacturers' suggestions for up-keep and maintenance of surface. Below is a list of maintenance guidelines that should be performed on a regular basis:

Pedestal Adjustment

Depending on substrate materials, some settling and/or deflection can occur. Remove tile and adjust the pedestal by turning the base until level height is achieved. You may need to do this on more than one pedestal to level out an area. To ensure pedestal stability, completely cover Safety Windows when adjusting pedestals.

Using Shims

If you notice tiles "rocking" back and forth while walking on them, simply lift the tile up and shim one or more corners until it is level on all four corners. Bison B11 (1/16") or PS1 (1/8") shims can be ordered and shipped directly.

Note: 1/4 wedge pieces must be adhered to the pedestal and each other with construction adhesive, securing the wedge to the pedestal and no more than 2 wedges together.

Spacer Tabs

Periodically check spacer tabs between tiles and replace broken spacer tabs immediately. Loss of spacer tabs can cause unsafe deck movement. When reinstalling tiles make sure not to break tabs.

Edge Restraint

Make sure the edge restraint stays intact and in good condition. There should not be room around perimeters of the deck in excess of one tab width which would cause lateral movement of surface materials, and void the Bison warranty.

Clean Roof Drains

Clean drains and scuppers on a regular basis. Water should completely drain off roof deck within 48 hours after rainfall, under ambient drying conditions. Sitting or "ponding" water can be detrimental to roof systems.

NOTES:

1. ALL DRAWINGS & DETAILS PROVIDED ARE EXAMPLES ONLY.
2. INSTALLATION TO BE COMPLETED IN ACCORDANCE WITH MANUFACTURER'S SPECIFICATIONS.
3. DRAWINGS NOT TO SCALE.
4. FOR COMPLETE SPECIFICATIONS, PRODUCT AND PURCHASING INFORMATION VISIT www.BisonDeckSupports.com